


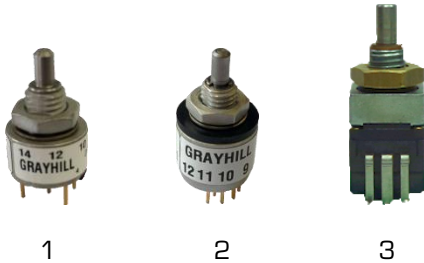


-  your idea...
-  our solutions...
-  your success...



Rotary switch codes gray and binary

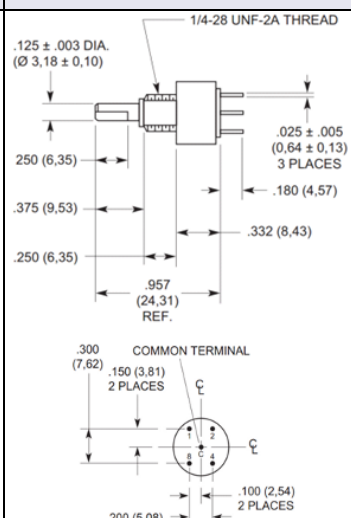
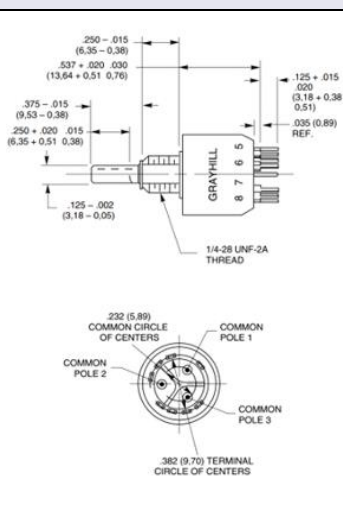
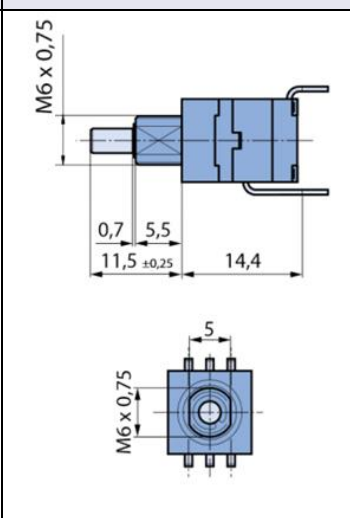


The various forms of **EASYSa** selectors are equipped with an **exclusive rotary switch** combining the quality and the robustness needed in the industry and are used in a lot of applications requiring a reliable and efficient switching.

Rotary switches used in our products are:

- 1) Gray code rotary switch from Grayhill
- 2) Binary code rotary switch from Grayhill
- 3) Gray code rotary switch from Elma

Technical data

Electrics	1: Gray coded rotary switch	2: Binary coded rotary switch	3: Gray coded rotary switch
Output	4 bits gray coded	4 bits binary coded	4 bits gray coded
Indexing angle	22.5°	22.5°	22.5°
Positions	16 pos. with adjustable stop	16 pos. with/without stop	15 pos. with stop
Nominal voltage range	30 VDC	30 VDC	30 VDC
Nominal current range	20 mA	20 mA	20 mA
Contact resistance	< 0.5 Ω	< 0.3 Ω	< 0.05 Ω
Dielectric voltage to case	500 VDC	500 VDC	500 VDC
Rotational life	25 000 cycles min	25 000 cycles min	10 000 cycles min
Operating temperature	-40 to +85 °C	-40 to +85 °C	-40 to +85 °C
Rotation torque	4.2 Ncm	8.4 Ncm	3.2 Ncm
Axis	Round, Ø 3mm	Round, Ø 3mm	Round, Ø 3mm
Mechanics			



your idea...



our solutions...



your success...

EASY SA

Ordering

Picture	Order Number	Description
	001 194	Rotary selector 16 pos, gray coded, stop pin
	001 195	Rotary selector 16 pos, binary coded, stop pin
	002 220	Rotary selector 16 pos, gray coded with solder pad, stop pin
	002 221	Rotary selector 16 pos, gray coded, screw terminal, stop pins
	002 682	Rotary selector 16 pos, gray coded, wires 50mm, connector Molex female 5 poles, stop pin
	002 212	2 Rotary selector 16 pos, gray coded, spaced 46 mm, flat cable 40mm, connector DIN 41651 female 10 poles, stop pin
	003 316	2 Rotary selector 16 pos, gray coded, spaced of 70mm, flat cable 120mm, connector DIN 41651 female 10 poles, stop pin
	002 215	2 Rotary selector 16 pos, gray coded, spaced of 80mm, flat cable 120mm, connector DIN 41651 female 10 poles, stop pin
	002 681	3 rotary selector 16pos, gray coded, spaced 36 and 41 mm, flat cable 50mm, conn. DIN 41651 female 14 poles, stop pin
	003 290	Rotary selector 16 pos, binary coded, connector Molex 5 pins male, stop pin



your idea...

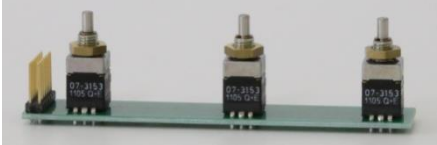


our solutions...



your success...

EASY SA

Picture	Order Number	Description
	003 278	3 rotary selector 15 pos, gray coded with dual row male straight 16.5mm, spaced 36 and 46 mm

Do not hesitate to express your interest and needs and we gladly prepare an individual offer