




-  your idea...
-  our solutions...
-  your success...

**EASY**<sub>SA</sub>



## Current measurement interface IF-CM



The IF-CM measurement interface, developed and manufactured by [EASYsa](#) is the ideal solution to manage, monitor and watch the power consumption of the electric installations in roads and buildings infrastructure and in the industry.

IF-CM has 3 channels that measure in real time and without interferences the RMS values of the current.

The measured values are available through a serial port with Modbus RTU protocol.




Due to its small size, IF-CM interface is easy to install and to use and it may be integrated in existing installations as well as new installations

IF-CM, the best response to modern requirements:

- Simultaneous measuring and watching of the 3 phases or 3 independent lines.
- Measure availability of DC or AC 50 or 60 Hz between 0 and 20 A.
- Galvanic separation between measuring lines and between measuring lines and electronics.
- High frequency current analysis and numerical computation of the RMS values.
- High resolution enabling also watching new technologies like LED lighting.
- Results available immediately through RS485 Modbus interface.

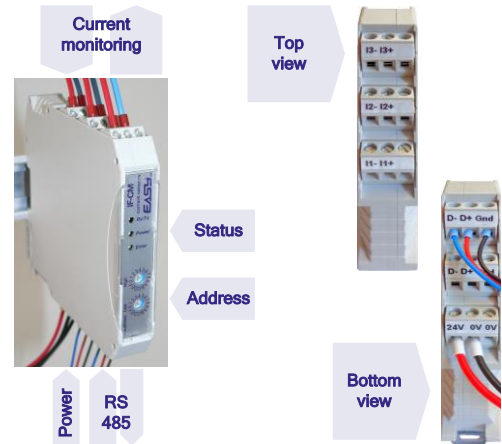
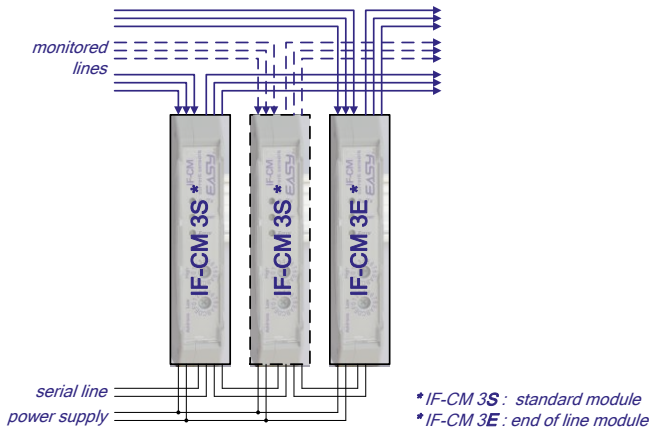
and large advantages ...

- **minimum size, no accessories**
- **robust housing and frontal face protected**
- **DIN rail mounting**
- **connection with screw terminals**
- **inputs and outputs for bus wiring in series**
- **no setting up**
- **almost zero consumption**
- **long life, contactless and stressless electronic components**
- **single model for all type of current**

-  your idea...
-  our solutions...
-  your success...



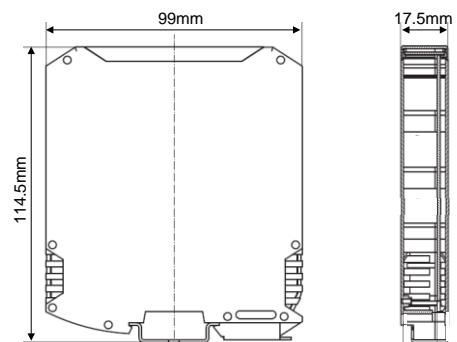
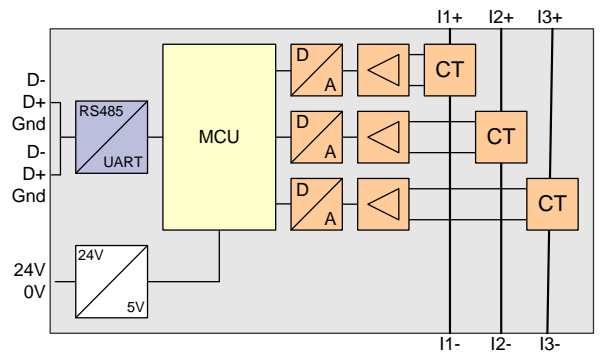
## Utilization: diagram, connections and informations



### Technical data

<p>Measures Measure range Measure method Sampling Frequency Resolution Precision Power voltage Power consumption Interface Protocol Transfer speed Parity Stop Connection Admissible sections Nominal current / section Isolation voltage</p>	<p>IRMS over 3 channels 0 .. 20A, AC 50/60Hz, DC TRMS 1kHz 10mA ±2% FS 12 .. 32V DC, ±10% &lt; 1W RS485 2-wires Modbus RTU 4800..115200 bauds none, even, odd 1 or 2 bits Screw terminals 0.14..2.5 mm<sup>2</sup>, AWG 26-14 24A / 2.5mm<sup>2</sup> 250V/4kV Overvoltage category III / Degree of pollution 3 400V/4kV Overvoltage category III / Degree of pollution 2 630V/4kV Overvoltage category II / Degree of pollution Polyamide, UL 94 VO, light gray (RAL 7035) IP20 rail DIN TH 35 17.5 x 105 x 114.5 mm -20°C..70°C</p>
---	---

### Bloc diagram and sizes



Do not hesitate to express your interest and needs and we gladly prepare an individual offer