




-  your idea...
-  our solutions...
-  your success...



## Manual pulse generator MC-PG



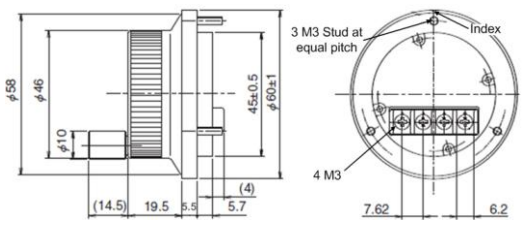
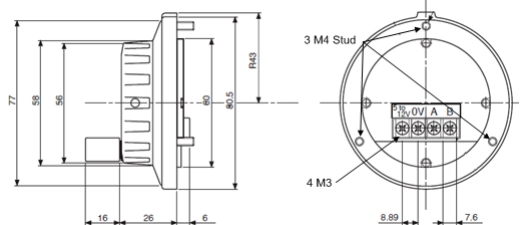
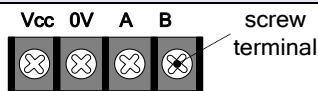
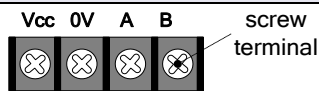
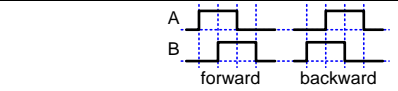
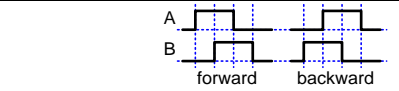
The pulses generators **MC-PG** are mainly used for the control of machines-tools. They allow a sensitive manual drive of axes or of functions of the machines.

**MC-PG** are equipped with a click mechanism to be more precise with a notches sensation.



The **MC-PG** are used by **EASYSa** for its own products and are also available for its customers.

**MC-PG** are available in sizes of **60 mm** and **80 mm** diameter.

### Technical data

Main Characteristics	MC-PG 60	MC-PG 80
Resolution	100 pulse per rotation	100 pulse per rotation
Power Supply Vcc	5 to 12 VDC ±10%	5 to 12 VDC ±10%
Power Supply Icc	70 mA	50 mA
Output voltage (min)	"H": Vcc - 1V; "L": 0.5 V	"H": Vcc - 1V; "L": 0.5 V
Output current (max)	20 mA	20 mA
Output impedance	330 Ω	330 Ω
Operating temperature	- 10°C to +60°C	- 10°C to +60°C
Sizes	MC-PG 60	MC-PG 80
Side and rear view		
Electrical interface	MC-PG 60	MC-PG 80
Connector view	 screw terminal	 screw terminal
Power	Vcc = +5 to +12 Vdc; 0V = Ground	Vcc = +5 to +12 Vdc; 0V = Ground
Signals		

### Ordering

Picture	Order Number	Description
	<b>001 618</b>	MC-PG Manual pulse generator 60 mm, black, 100 ppr
	<b>001 619</b>	MC-PG Manual pulse generator 80 mm, black, 100 ppr